

BIKE STAND PLUS COMBI



practical rail system

For a larger number of bicycles, the bike stands can be connected to one another and fixed on a modular rail system.

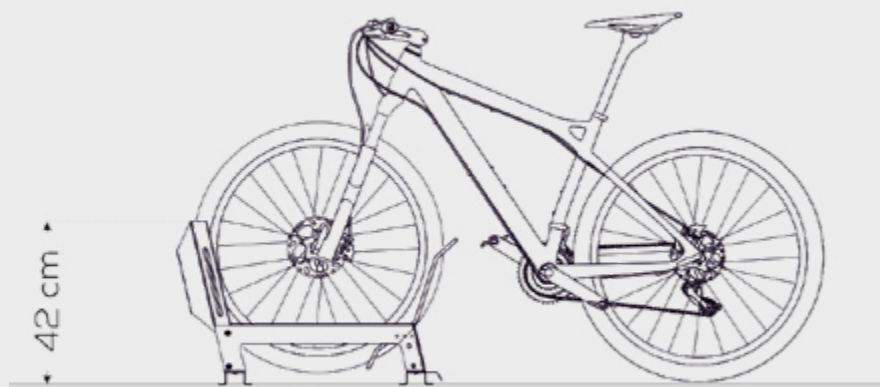
	Length x Height	Tire width	Capacity*	Item-No.
BIKE STAND PLUS COMBI	850 x 420 mm	max. 80 mm	1	1082100
BIKE STAND HIGH PLUS COMBI	850 x 520 mm	max. 80 mm	1	1082360
FATBIKE STAND PLUS COMBI	850 x 420 mm	max. 126 mm	1	1082368
FATBIKE STAND HIGH PLUS COMBI	850 x 520 mm	max. 126 mm	1	1082369

	Item-No.
FIXING SET BIKE (2 pcs)	1082102
FIXING SET FATBIKE (2 pcs)	1082370
STEEL RAIL, 1 meter	1082101
STEEL RAIL, 2 metres	1082354
RAIL CONNECTOR	1082356
RAIL ENDING	1082423
WALL FIXING	1082358

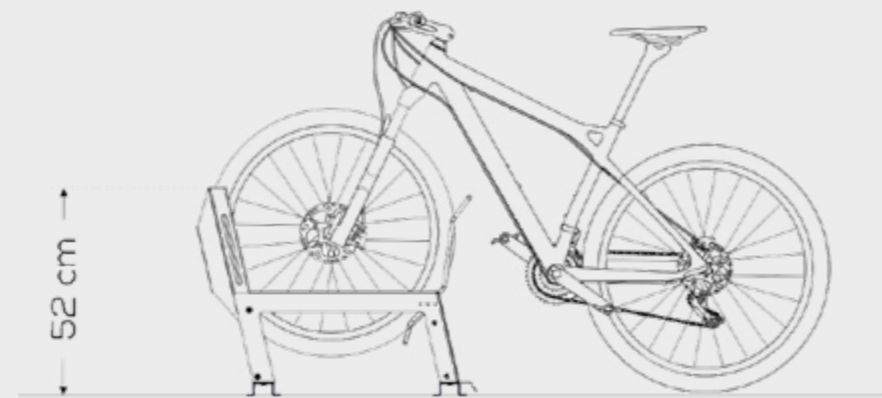
*Bike



BIKE STAND PLUS COMBI

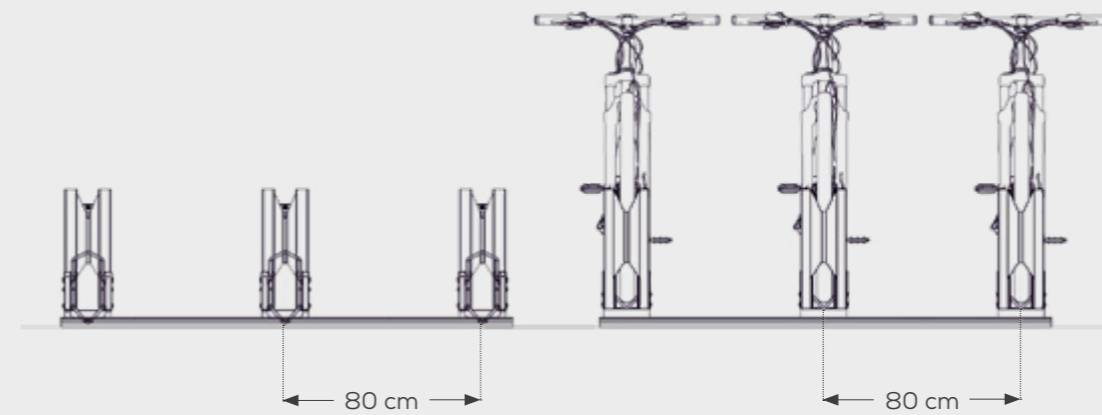


BIKE STAND HIGH PLUS COMBI



ARRANGEMENT ON THE RAIL

BIKE STAND PLUS COMBI

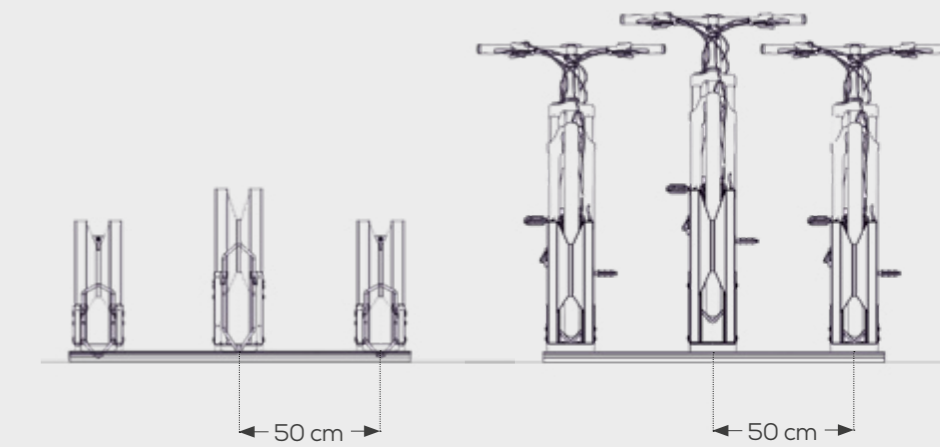


The modular bike stands can be placed on the rail in a minimal distance of 80 cm. This results in a capacity of 3 bicycles per 2 metres of rail.

CAPACITY:

- 1 meter rail: 2 BIKES
- 2 metres rail: 3 BIKES
- 3 metres rail: 4-5 BIKES
- 4 metres rail: 6 BIKES

BIKE STAND PLUS COMBI & BIKE STAND HIGH PLUS COMBI



A clever combination of different heights of the bike racks enables the bicycles to be arranged closer next to each other on the rail and increases the storage capacity with less space requirement.

CAPACITY:

- 1 meter rail: 2-3 BIKES
- 2 metres rail: 4-5 BIKES
- 3 metres rail: 7 BIKES
- 4 metres rail: 9 BIKES