



Ski and Board Coating Repair Machine POLYMAT 1/POLYMAT 2

The gliding coat quality is the basis for excellent service, and affects the riding quality of the customer's equipment. The consistency of the gliding coat determines the success of each of the subsequent service steps. With the coating repair machine POLYMAT 1 and 2 you will achieve a nearly brand new coating. Poor snow and slope conditions, especially turf and stones, can lead to heavy coating damage. It is the water break between coating and snow that disrupts riding quality. As a result, the value and enjoyment of the ski or board can be lost. Thanks to the POLYMAT 1 and 2, from Reichmann, surface blemishes in the coating can be repaired easily, sustainably, and efficiently. Thus, the equipment will obtain outstanding riding quality, as well as preserved value.

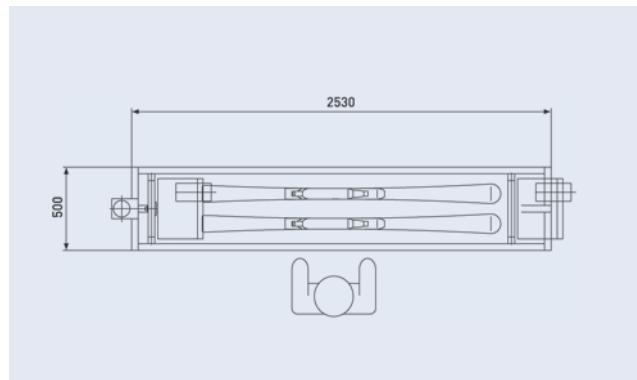
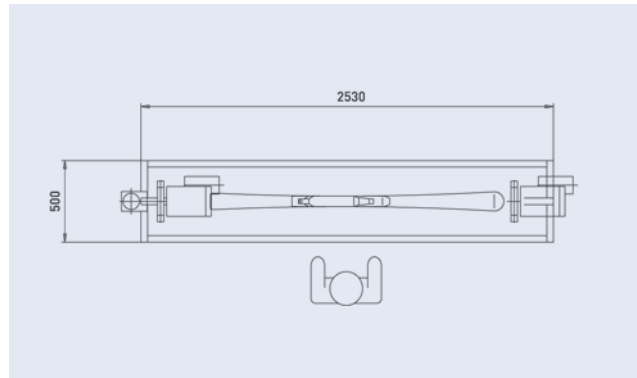
FEATURES

- > POLYMAT 1 allows for simple, one-step ski improvements
- > Melting width of 350 mm allows POLYMAT 2 to repair one pair of alpine skis or one snowboard
- > Specialized melting head adjustment allows for proper filling of depressions, and keeps excess coating material to a minimum
- > Increased coating effusion of surface damages prevents diminution of base material during grinding
- > Optimized repair speeds provides durable connections between coating and repair material
- > Flexible melting head adjustment provides "on the spot" corrections, for point specific repairs
- > Flexible fixation system interfaces with all types of skis, plates, and bindings
- > Binding adaptors are not necessary
- > Machine requires little space through compact external measurements
- > Accessory vapor-free suction device is selectively available
- > POLYMAT 1 and 2 are available as both a bench model or as expansion to a current workbench, accessory aluminum stand, or in connection with a Reichmann workbench

POLYMAT 1 –
one ski per operation



POLYMAT 2 –
one operation per pair of ski or board



BENEFITS FOR USERS

- > Optimal operation speed through simple and intuitive handling
- > Immediate stone treatment possible after the repairing process
- > Minimized heating period allows for immediate use and capabilities
- > Fast and flexible service ensures excellent customer satisfaction
- > High profitability due to low personnel and consumable costs
- > Short payback period due to low costs and rapid achievable turnover

BENEFITS FOR CUSTOMERS

- > Long-term riding quality and maintenance of equipment value
- > Excellent gliding properties
- > Stable and calm straight-line riding

TECHNICAL DATA POLYMAT

| | POLYMAT 1 | POLYMAT 2 |
|-------------------------------------|-------------------------|-------------------|
| Dimensions (L x W x H) in mm | | |
| Stand design | 2530 x 500 x 1400 | 2530 x 500 x 1400 |
| Table design | 2530 x 380 x 800 | 2530 x 380 x 800 |
| Connecting voltage | 230 V, 1 PH/N/PE, 50 Hz | |
| Engine speed 1/min | 1360 | 1360 |
| Connecting power in kW | 0,7 | 1,35 |
| Operating temperature | 280 | 280 |
| Heating | 600 W | 1200 W |

ACCESSORIES AND CONSUMABLES POLYMAT

| Description | Article number | Page |
|-----------------------------|----------------|------|
| Repair wire | | |
| transparent 5mm | 1007695 | 35 |
| black 5mm | 1007694 | |
| Metal Grip | | |
| transparent | 601223 | 35 |
| black | 750439 | |
| Base material strip | | |
| transparent | 750295 | 35 |
| black | 750296 | |
| Base repair sticks | | |
| transparent | 750405 | 35 |
| black | 750400 | |
| Planer BH 2 | 1015400 | 35 |
| Straight edge | 750371 | 35 |
| 2-component adhesive | 750243 | 35 |