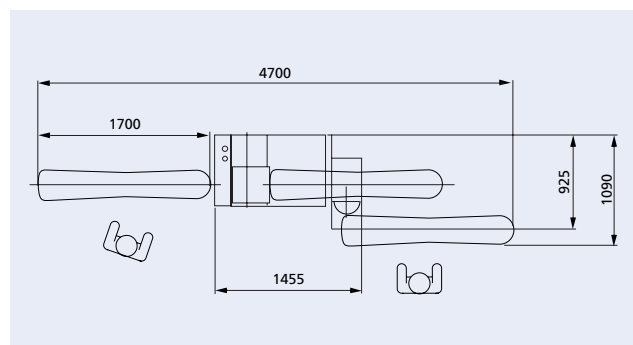




Optional side edge grinding module



Layout SN 350 PROFI

Belt tuning machine with freedom of choice **SN 350 PROFI**

The SN 350 PROFI is perfectly suited for tuning skis and snowboards. As a belt grinder it meets all demands for professional base tuning. This is why numerous snowboard manufacturers employ SN 350 PROFI for their production in continuous operation.

Versatile application

If desired the machine can be upgraded with an in-feed module and side edge grinding module that enables angle adjustments from 85° to 90°. The SN 350 PROFI is available with casters making it easier to move around in your workshop. Changing the sanding belt is quick and easy. The two-stage speed of the grinding motor arranges for the pre- and finish grind, plus the appropriate concentration of abrasion.

Cleaning

The removal of grinding residues and the filter change are an easy victory due to the filter drawer.

A good investment for the future

The SN 350 PROFI requires less spare parts and service due to its "Made in Germany" quality.

TECHNICAL DATA SN350 PROFI

Dimensions (L x W x H) in mm - w/o sem	1150 x 750 x 915
with side edge module (sem)	1455 x 925 x 915
Weight in kg - w/o sem	280
with sem	330
Connecting voltage	400 V, 3 PH/N/PE, 50 Hz
Connecting plug	CEE 16A 5-pol.
Engine speed 1/min	470/960
Connecting power in kW (w/o options)	3,0
Coolant tank approx. in l	55
Sanding belt in mm	350 x 2000
Side edge sanding belt in mm	20 x 1200
Grinding pressure feed in kg	20 - 30

ACCESSORIES SN350 PROFI

Description	Article number	Page
Corundum grinding stone	750250	26
Binding bridge		27
For downhill, aluminium	1026649	
For children ski, aluminium	1027477	
For Nordic, aluminium	1026244	
Sanding belt 350 x 2000		32
Grain 80	400729	
Grain 100	400730	
Grain 120	400985	
Side edge tuning belt 20 x 1200		32
Grain 80	400476	
Grain 100	400477	
Grain 120	400586	
Tuning belt cork 350 x 2000 mm	401072	32
Polishing belt scotch 350 x 2000 mm	400982	32
Micro filter mat	1009039	26
Filter socket	1029066	26