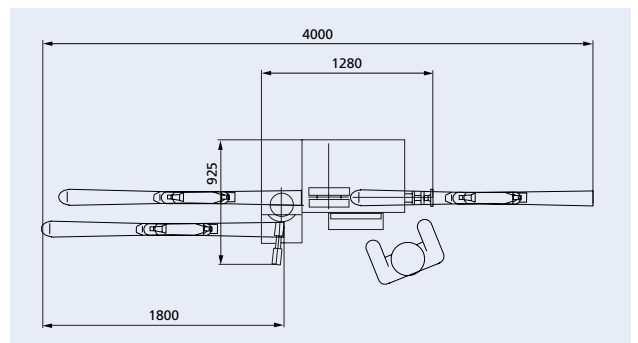




Exactly adjustable grinding angles due to side edge module



Layout KFM-US

High Quality Edge Tuning in World Cup Quality KFM-U and KFM-US

Perfect edges achieve better carving properties, unlimited fun on slopes and absolute safety for skiers and snowboarders. Proven over many years and continuously enhanced, this machine provides outstanding edge results while taking up little space. The KFM-U and KFM-US are a "must-have" for every tuning workshop.

Perfect edge sharpness for base and side edge

The KFM-U base-finishing machine gives base edges a mirrored finish for easy turning and better edge grip. The circumferential wheel tunes the base edges without rounding of the edges or generating burrs. Thus both base edges can be polished and beveled in one step. Thanks to the automatic in-feed, as well as the mechanical lifting device KFM-U achieves constant tuning results.

With the side edge finish module of the KFM-US you will receive polished side edges free of burrs over the whole length of the skis through the precise adjustable grinding angles. The

polishing in the end of the service process arranges for the important mirror finish with outstanding edge sharpness for all snow conditions.

Cleaning

The disposal of grinding residues of the machines and the change of filter are an easy victory due to the filter drawer.

Space saving and versatile application

KFM-U and KFM-US are equipped with a moveable base frame and only require a small amount of space for operation due to their compact construction. Numerous notable ski manufacturers use these machines for the final finish of their premium skis.

TECHNICAL DATA KFM-U/KFM-US

	KFM-U	KFM-US
Dimensions (L x W x H) in mm	850 x 670 x 1320	1150 x 840 x 1320
Weight in kg	280	330
Connecting voltage	400 V, 3 PH/N/PE, 50 Hz	
Connecting plug	CEE 16A 5-pol.	CEE 16A 5-pol.
Engine speed 1/min	910	910
Connecting power in kW	2,0	2,5
Coolant tank approx. in l	30	30
Tuning disc		
Base edge in mm	Ø 300 x 55	Ø 300 x 55
Side edge in mm	-	Ø 250 x 20

ACCESSORIES KFM-U/KFM-US

Description	Article number	Page
Binding bridge		27
For downhill, aluminium	1026649	
Für children ski, aluminium	1027477	
Für Nordic, aluminium	1026244	
Base edge tuning disc till YOC 2002	750385	29
Base edge tuning disc ex YOC 2003	1011109	29
Emulsion 10 kg	750331	26
Machine cleaner	100349	26
Micro filter mat	1007026	26
Roll filter paper	750054	26
Dresser Ø 150 mm	951210	29
Dresser Ø 25 mm	1006743	29
Double support roll for snowboards	750100	-