



Reichmann High-Quality-Tuning DTS-U Pro

The DTS-U Pro is an edge tuning miracle for skis and snowboards amongst ski tuning machinery. It offers skis and boards ready to ride, directly out of the machine.

Four perfectly tuned edges in just one quick simple step help provide unlimited enjoyment and safety for all customers. The innovative arrangement of the tuning discs enables simultaneous treatment of base and side edges. Both side edges are by-passed at the discs wheels, while the base edges are polished from below by the circumferential polishing wheel. The Reichmann edge tuning concept HQT (High-Quality-Tuning) is a perfect addition to all base tuning machines. The combination of these machines in any service work shop will provide a complete servicing process along with the achievement of excellent profitability and quality.

HQT - edge tuning

The extraordinary HQT-edge-tuning technology creates perfectly mirrored results over the whole length of the ski or snowboard. The patented stop bars of the side edge aggregates set the disc exactly onto the side edges providing for soft and early initiation on the edges. The downstream circumferential polishing wheel guarantees polished base edges free of burrs. The DTS-U Pro offers edge tuning experts the possibility of adjustable side edge and base edge angles. The skis and snowboards obtain a refined surface, longest edge durability, highest edge sharpness and best turning features due to the HQT. The result will be superior edges for all snow conditions and your workshop receives a great reputation. The DTS-U Pro delivers superior results along with high service output.

Efficient tuning

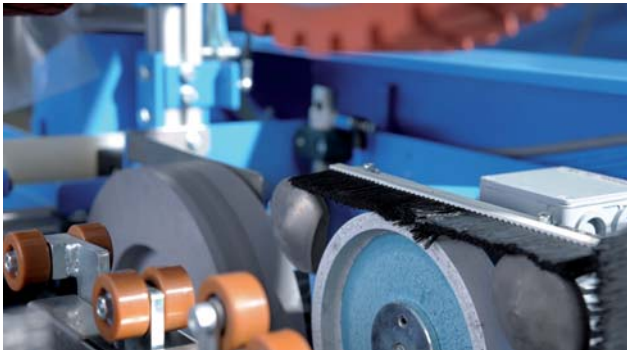
Skis and snowboards receive four perfectly tuned edges in just one quick, simple step, only insert and remove. Thanks to simple operation and compact construction - that enables a space-saving location directly against the wall, the DTS-U Pro is the ideal completion to your base grinders. Additionally the modern 5.7" high-resolution, colored touch-display facilitates quick and easy handling for every user.

Cleaning

The DTS-U Pro can be cleaned easily due to the 7° sloped tank for a complete transport of grinding material from the end of the tank into the filter socket. The special filter system shows the state of the water/emulsion level in the tank, visible from outside, and allows a fast and easy change.

A good investment for the future

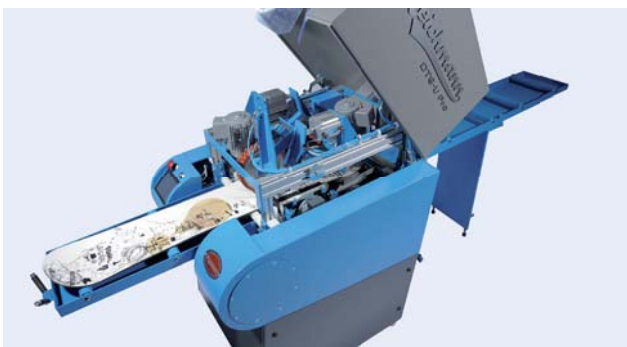
Through the professional HQT technology winter sportsmen will receive easy-carving skis and snowboards, as well as an ultimate edge grip for higher safety on slope, even with artificial snow. This will let you serve a larger scope of customers, from beginners up to downhill racers. With the DTS-U Pro you do not only save time and material costs, but also gain excellent references from your customers.



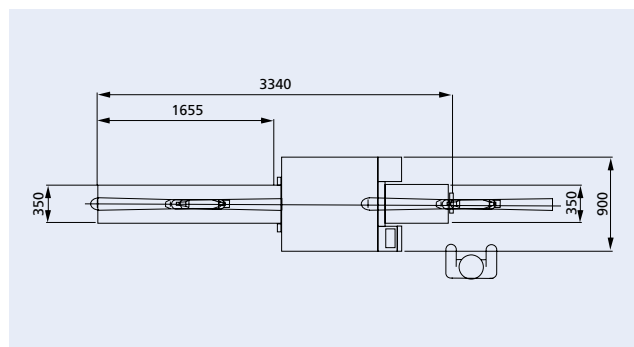
Simultaneous side and base edge tuning



Individual grinding pressure adjustment



Innovative arrangement of modules



Layout DTS-U Pro

TECHNICAL DATA DTS-U PRO

Dimensions (L x W x H) in mm - opened	3350 x 900 x 2060
not opened	1450 x 900 x 1625
Weight in kg	620
Connecting voltage	400 V, 3 PH/N/PE, 50 Hz
Connecting plug	CEE 16A 5-pol.
Engine speed 1/min	1350
Connecting power in kW	2,5
Compressed air connection in bar	6
Tuning discs in mm	Ø 250 x 55
Discs wheels side edge in mm	Ø 154 x 25
Feed speed	variable

ACCESSORIES DTS-U PRO

Description	Article number	Page
Binding bridge		27
For downhill, aluminium	1026449	
For children ski, aluminium	1027477	
For Nordic, carbon	1031953	
Side edge ceramic tuning wheel	1023989	29
Base edge tuning wheel	1013178	29
Dresser	401098	28
Emulsion 10 kg	750331	26
Machine cleaner	100349	26
Micro filter mat moveable tank	1030107	26
Micro filter mat inserted tank	1024839	26
Filter socket	1029066	26
Roll filter paper	400604	26
Grease cartridge	100067	26
One-hand grease gun	750289	26
Compressor LFX	1014810	25