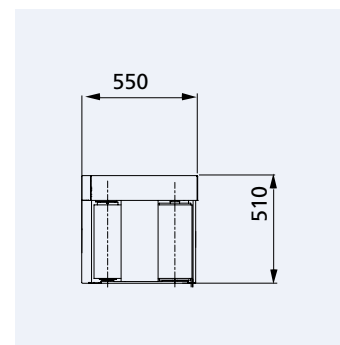


simple operation -
automatic regulation of temperature



Layout BWM 350 C

The perfect solution for small spaces
BWM 350 C

The BWM 350 C belt waxing machine is the perfect solution for the shop looking for an affordable and space saving waxing machine. The BWM 350 C allows you to offer your customers quicker turn around times, while decreasing payroll hours, and wax consumption. Because of its efficiency, and low cost of entry, the BWM 350 C is a wise economical and ecological decision for you business.

Compact construction

The BWM 350 C comes standard as a bench top unit. There is an optional stand that comes with casters and, extra storage space. The BWM 350 C lives up to the legendary quality standards that our customers expect and enjoy from Reichmann.

Efficient and cost-saving waxing

The BWM 350 C operates on single phase 230 V, making it a convenient machine to operate anywhere. The stable hot air supply offers automatic temperature regulation. This temperature regulation provides for consistent and constant waxing. The BWM 350 C uses little energy, and emits no orders or fumes while in operation, making for a safe and clean work area. The integrated wax brush guarantees for an optimized base finish. The wax brush polishes a thin layer of wax into the base exposing base structure, and edges.

Cleaning

A lid within the front part of the BWM 350 C can be easily opened, giving easy access to the inside of the machine for effortless cleaning.

TECHNICAL DATA BWM 350 C

Dimensions (L x W x H) in mm	550 x 510 x 885
Weight in kg	66
Connecting voltage	230 V AC 1 PH
Connecting plug	Schuko plug
Engine speed 1/min	560
Connecting power in kW	3,25
Operating temperature in °C	90
Heating in W	2500

ACCESSORIES BWM350 C

Description	Article number	Page
Universal wax bar pink	750409	32
Flashpack Workshop MINUS	1014793	32
Flashpack Workshop PLUS	1014794	32
Fluorwax Workshop	1014795	32
Natural Wax	1037488	32