



Exactly adjustable
grinding angles due to
side edge module



Time saving base
edge finish
in high quality

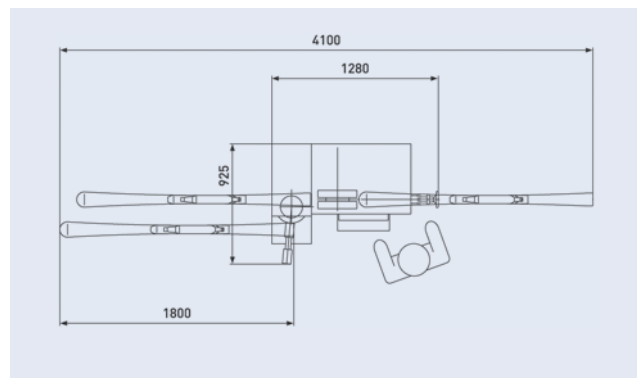


High Quality Edge Tuning in World Cup Quality KFM-U und KFM-US

With the edge finish machines edges will be tuned precisely and polished ideally. The KFM-US tunes the side edges above all, and polishes them to a mirror finish. With its low dimensions, the KFM-U (base edge) and the KFM-US (base and side edge) ideally complement the Reichmann PROFI series machines. The HQT (High Quality Tuning), which also comes into operation in the full-automatic service center, SF-2 Pro, and the DTS-U Pro (as completion of the service process), provide for an important mirror finish to enable unique gliding features in any snow conditions. You will have a shortened customer service process, with excellent profitability, for small and medium service volumes. The perfectly polished edges will allow unlimited driving pleasure and absolute security for any customer.

FEATURES

- > Base edges are polished in a single-step process
- > Automatic feed arrangement combined with the mechanical lift-off device provide consistent tuning results
- > Adjustable and compact design requires minimum space
- > Unique HQT (High Quality Tuning) of the base edges provides for amazing gliding features; edges will not be rounded and longer edge grip is guaranteed
- > Circumferential polishing wheel provides edge tuning results for longer edge service life
- > Precisely adjustable tuning angles cater for both smooth and regular side edges
- > Matching of the base and side edge devices guarantees a precise edge geometry across the ski or snowboard length



BENEFITS FOR USERS

- > Fast and simple processing
- > Low material, time, and cost investments
- > Fair prices and high profitability with fast pay back period
- > “Made in Germany” machine quality for subsequent decades
- > Excellent ski and board service creates high customer satisfaction and loyalty

BENEFITS FOR CUSTOMERS

- > Perfectly processed edges guarantee optimal tuning capability and maximum edge grip, for better hold and more riding security
- > Longer service life for the edges make for long lasting riding and enjoyment
- > Better grip for all snow conditions, particularly artificial snow, increases security and confidence

TECHNICAL DATA KFM-U/KFM-US

	KFM-U	KFM-US
Dimensions (L x W x H) in mm	850 x 640 x 1320	1150 x 840 x 1320
Weight in kg	280	330
Connecting voltage	380–415 V, 3 PH/N/PE, 50 Hz	
Connecting plug	CEE 16A 5-pol.	
Engine speed 1/min	910	910
Connecting power in kW	2,01	2,46
Coolant tank approx. in l	30	30
Tuning wheel		
Base edge in mm	ø 300 x 55	ø 300 x 55
Side edge in mm	-	ø 250 x 20

ACCESSORIES AND CONSUMABLES KFM-U/KFM-US

Description	Article number	Page
Binding cassettes		34
For downhill skis, aluminium	1026649	
For children's skis, aluminium	1027477	
For nordic skis, aluminium	750113	
For downhill skis, carbon	1031953	
For nordic skis, carbon	1031954	
Tuning wheel ø 300 x 50 mm	750385	37
Tuning wheel ø 300 x 140 mm	1011109	37
Emulsion 10 kg	750331	33
Filter mat	1007026	33
Filter paper roll	400604	33
Diamond ø 150 mm	951210	34
Second support roll for board	750100	-
Diamond ø 25 mm	1006743	34