



Special wax roll and structure brush for optimized waxing service



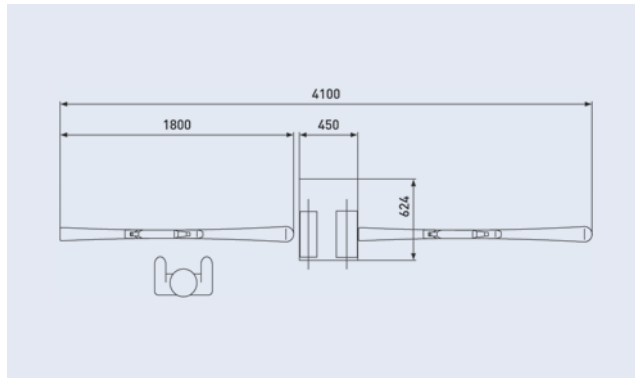
### Hot-air belt waxing machine for the service experts **BWM 350 Pro**

The first few meters are all dominant. Perfectly waxed skis and boards leave an amazing feeling within any customer for the first down hill experience. Unique gliding and turning capabilities puts a little magic into any winter day, and is a path to customer loyalty. Moreover, regular waxing service protects the edges from oxidation, and conserves the value of the equipment. Due to the uniform hot-air supply the wax is, therefore, mixed into the coating hot, not cold. The time-consuming removal of wax is no longer necessary. Wax consumption is reduced, waste is avoided, and costs are cut. The integral structure brush guarantees an optimum finish to the wax coating. The wax is polished into the base, and the steel edges are freed, so that only a thin wax film remains. Equipment professionally waxed using the BWM 350 Pro not only perform better, but also turn easier.

#### FEATURES

- > Automatic temperature regulation of hot-air fan enables unit to operate in both standby and working mode, thus reducing heating time
- > Optimal temperature settings ensures an ecologically friendly process and diminished odors
- > Wavy bristles brush the wax into the coating while exposing the structure to produce an ideal wax-finish
- > Special waxing roller guarantees absolute coverage and economical application of wax
- > Wax can be swiftly changed
- > Integrated built-in storage space allows waxes to be kept within reach
- > New, easily removable enclosures enable swift removal of material residues and easier maintenance
- > New dual bearing drive improves smoothness and stability
- > Casing powder-coating protects against scratches
- > Selective mobile orders of the BWM 350 Pro available

Easy removable  
sheeting for  
easy cleaning



#### BENEFITS FOR USERS

- > Minimum heating time allows machine to be put into use swiftly
- > Wax consumption, waste, and costs are reduced
- > Compact design means minimum space requirements
- > Swift and easy operation ensures higher production capabilities
- > Robust design ensures service life longevity and helps unit to maintain its value
- > "Made in Germany" machine quality for subsequent decades

#### BENEFITS FOR CUSTOMERS

- > Enhanced gliding capabilities for increased rider enjoyment
- > Easier turning capabilities reduces rider effort
- > Protection and care of equipment ensure value is maintained during and after use

#### TECHNICAL DATA BWM 350 PRO

<b>Dimensions</b> (L x W x H) in mm	515 x 640 x 885
<b>Weight</b> in kg	65
<b>Connecting voltage</b>	400 V, 3 PH/N/PE, 50 Hz
<b>Connecting plug</b>	CEE 16A 5-pol.
<b>Engine speed</b> 1/min	560
<b>Connecting power</b> in kW	3,25
<b>Operation temperature</b>	75
<b>Working width</b> in mm	350
<b>Waxing belt</b> in mm	ø 472 x 350
<b>Structuring brush</b>	ø 129 x 350 x 60
<b>Heating</b>	2500 W

#### ACCESSORIES AND CONSUMABLES BWM 350 PRO

Description	Article number	Page
<b>Waxing belt</b> 472 x 350 mm		39
Allround wax polishing belt	1001316	
High performance belt	1007245	
<b>Supplement wax structure brush</b> ø 129 x 250 mm	1015619	39
<b>Universal wax bar pink</b>	750409	39
<b>Flashpack Workshop MINUS</b>	1014793	39
<b>Flashpack Workshop PLUS</b>	1014794	39
<b>Fluorwax Workshop</b>	1014795	39